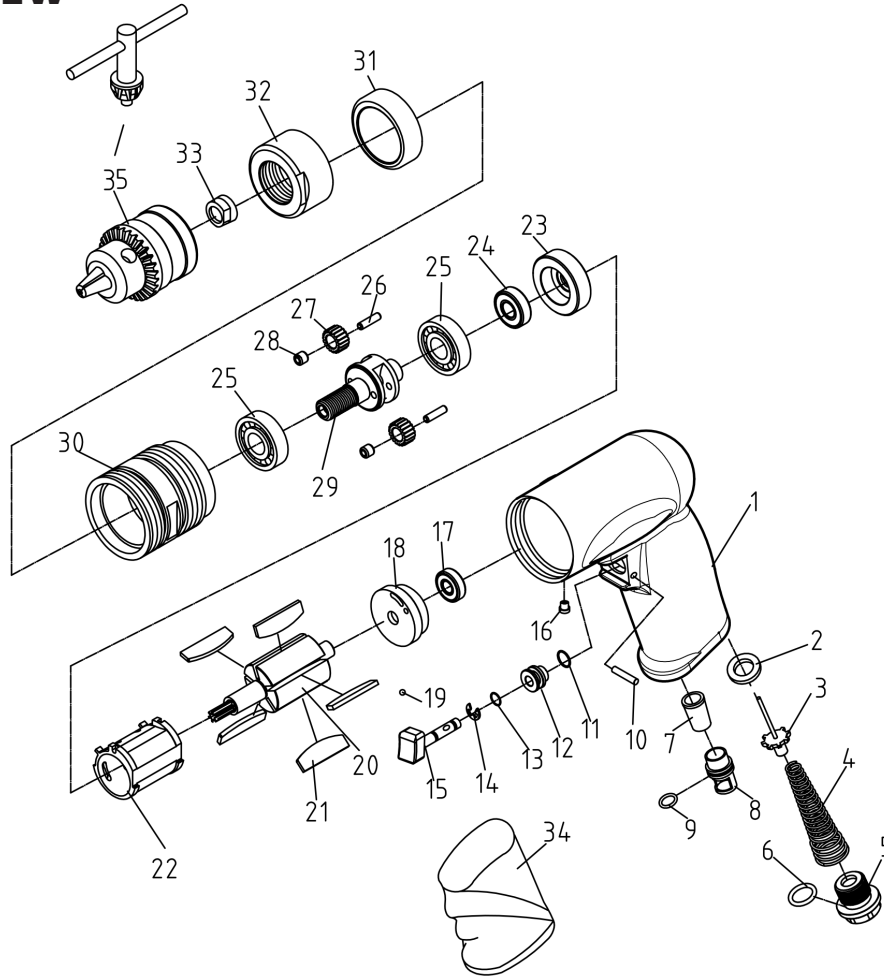


712P-5100 1/2" PISTOL AIR DRILL

EXPLODED VIEW



PARTS LIST — FOR REFERENCE ONLY

Index Number	Part Number	Description	Qty.	Index Number	Part Number	Description	Qty.	Index Number	Part Number	Description	Qty.
1	RL44501P	Housing	1	14	RL41718	Retaining Ring	1	27	RL44527F	Planet Gear	2
2	RL602805	Throttle Seat	1	15	RL44515A	Trigger Button	1	28	RL44528F	Needle Bearing	2
3	RL602804	Throttle Valve	1	16	RL41734	Grease Fitting	1	29	RL44532E	Planet Gear Carrier	1
4	RL602803	Spring	1	17	982-021-0	Ball Bearing (626)	1	30	RL44530F	Internal Gear	1
5	RL44505A	Air Inlet	1	18	RL44518A	Rear End Plate	1	31	RL44531D	Space Collar	1
6	RL44506A	O-Ring	1	19	RL80421	Steel Ball	1	32	RL44536A	Housing Cap	1
7	RL44507A	Silencer	1	20	RL44520B	Rotor	1	33	RL44535A	Spacer	1
8	RL44508A	Muffler	1	21	RL80420J	Rotor Blade	5	34	RL41741C	Comfort Grip	1
9	RL44509A	O-Ring	1	22	RL14822	Cylinder	1	35	24BA	Jacobs 1/2" Drill Chuck w/Key	1
10	RL41714	Pin	1	23	RL44523A	Front End Plate	1				
11	RL41715	O-Ring	1	24	981-045-0	Ball Bearing (608)	1				
12	RL41716	Valve Bushing	1	25	982-100-0	Ball Bearing (6000)	2				
13	RL41717	O-Ring	1	26	RL41608	Pin	2				

FOOTNOTES

EAGLE GROUP
A Division of AIMCO

10000 SE PINE
PORTLAND, OR 97216
503-254-6600
FAX 503-255-2615

When ordering spare parts, please specify tool type, part number, and description